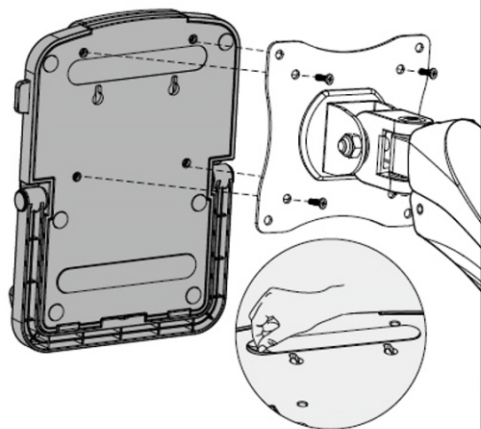


Tabula Magnetic II

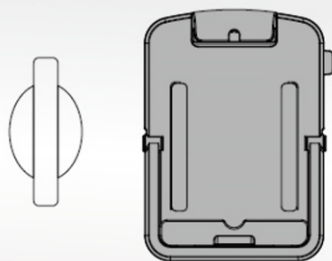
Multi-functional Tablet Mount

reflecta[®]

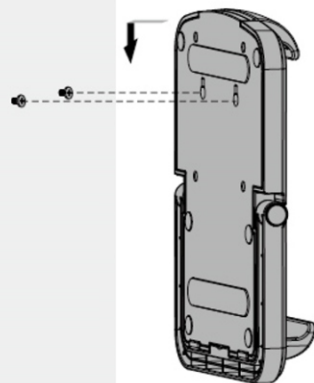
Multiple Installation Options



- 1** Tear the non-slip rubber lining first before attach the tablet mount to VESA plate



- 2** Inner magnetic strips snap the mount on your refrigerator firmly



- 3** Mount to a wall or used as table stand directly