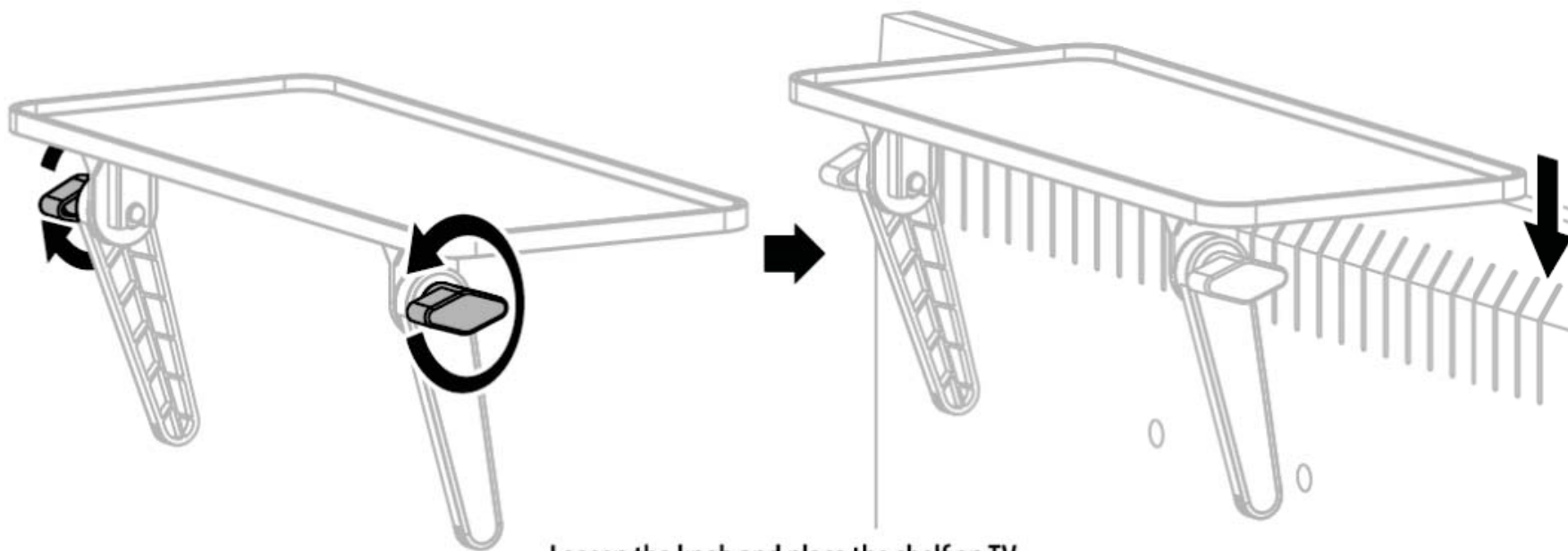
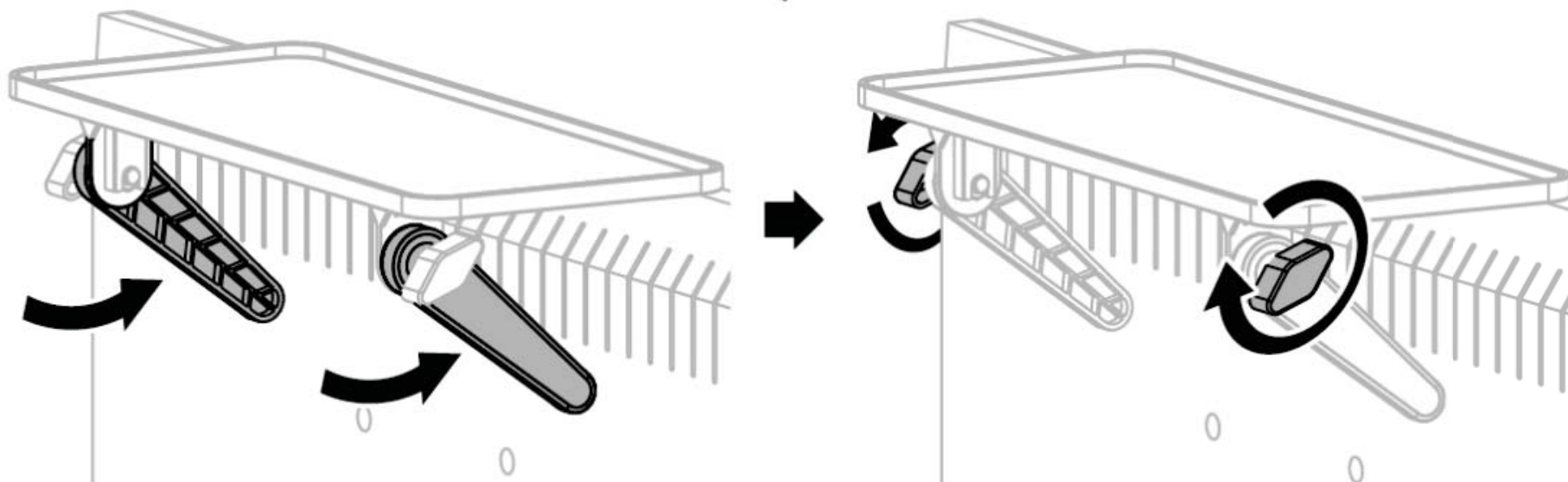


INSTALLATION INSTRUCTIONS



Loosen the knob and place the shelf on TV



Adjust the bar

Tighten the knob