

23196



200x200/300x300
400x200/400x300
400x400/600x400



MONITOR
rated
50kgx2/110lbsx2

DVD
rated
5kg/11lbs

CAMERA
rated
5kg/11lbs

INSTALLATION MANUAL

Maintenance

- Check that the bracket is secure and safe to use at regular intervals (at least every three months).
- Contact your place of purchase should you have any questions or need assistance.

⚠ WARNING

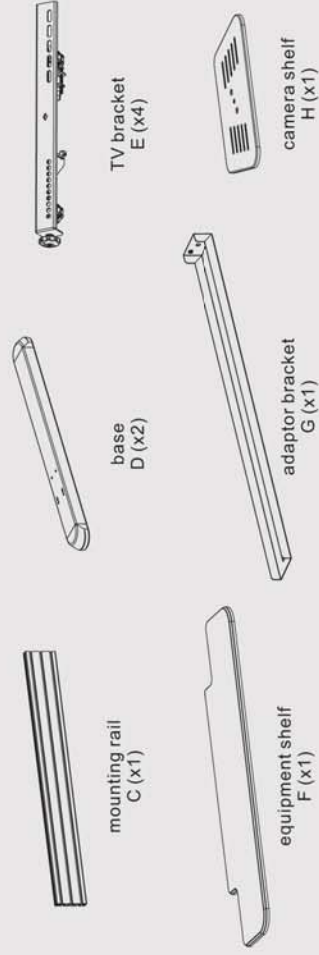
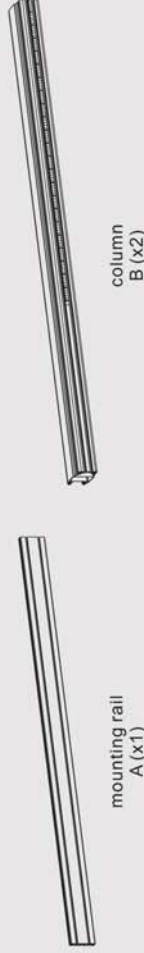
- Do not begin the installation until you have read and understood all the instructions and warnings contained in this installation sheet. If you have any questions regarding any of the instructions or warnings, please contact your local distributor.
- This mounting bracket was designed to be installed and utilised **ONLY** as specified in this manual. Improper installation of this product may cause damage or serious injury.
- This product should only be installed by someone with good mechanical ability who has basic building experience and fully understands this manual.
- Make sure that the supporting surface will safely support the combined weight of the equipment and all attached hardware and components.
- Always use an assistant or mechanical lifting equipment to safely lift and position the equipment.
- Tighten screws firmly, but do not over tighten. Over tightening can cause damage to the items. This greatly reduces their holding power.
- This product is intended for indoor use only. Using this product outdoors could lead to product failure and personal injury.

Required for Installation

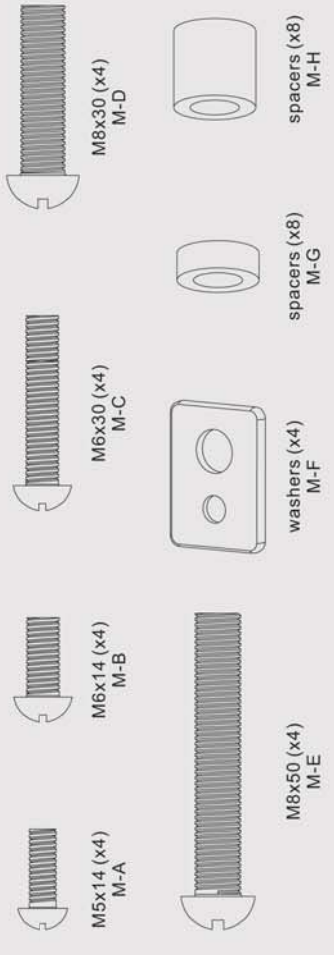


Component Checklist

IMPORTANT: Ensure that you have received all parts according to the component checklist prior to installation. If any parts are missing or faulty, contact your place of purchase for a replacement.

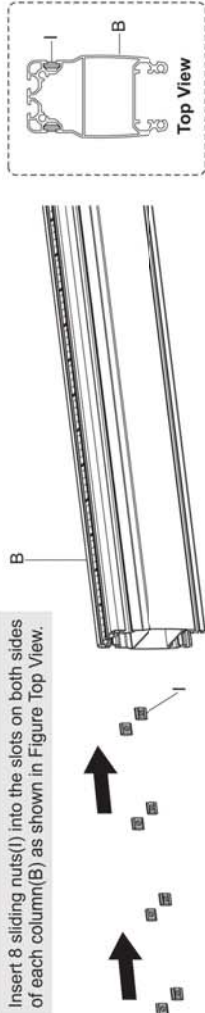


Package Mx2



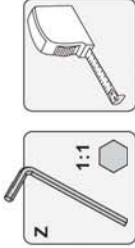
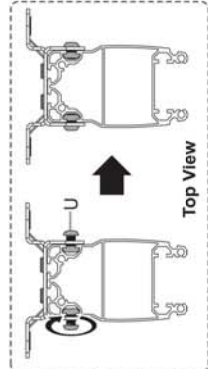
1. Attach Connecting Plate to the Column

Insert 8 sliding nuts(I) into the slots on both sides of each column(B) as shown in Figure Top View.

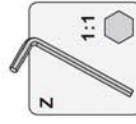


- Align the mounting holes on sliding nuts to the holes found on the connecting plate as shown in the Top View illustration below. Attach the Connecting Plate(J) to the Column(B). You will not tighten the Screws(U) in this step.
- Use the tape measure(not included) to set the distance between the bottom of connecting plates on the column. Make sure the distance is over 570mm(22.4").

Note: Leave at least 10mm gap at the top of the column for the end cap.

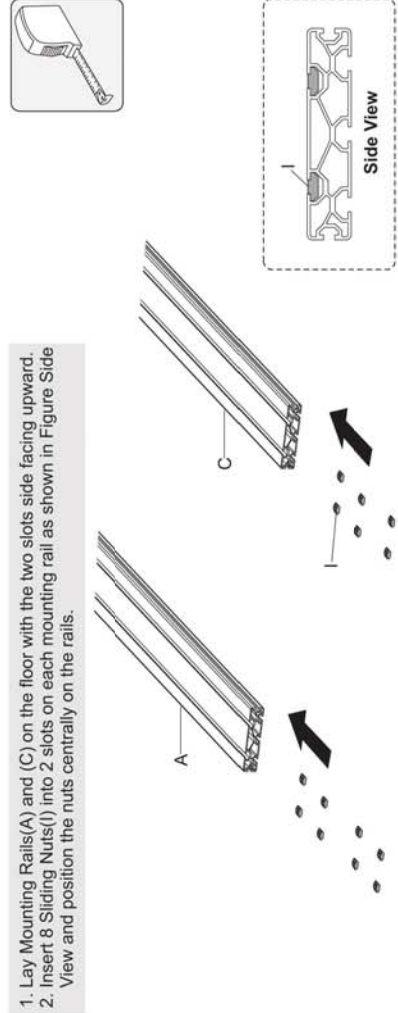


- Align the mounting holes on sliding nuts to the holes found on the connecting plate. Attach the assembled column to the Mounting Rails(A) and (C) with Screws(U).
- Use the tape measure to make sure the position of mounting rails are parallel.

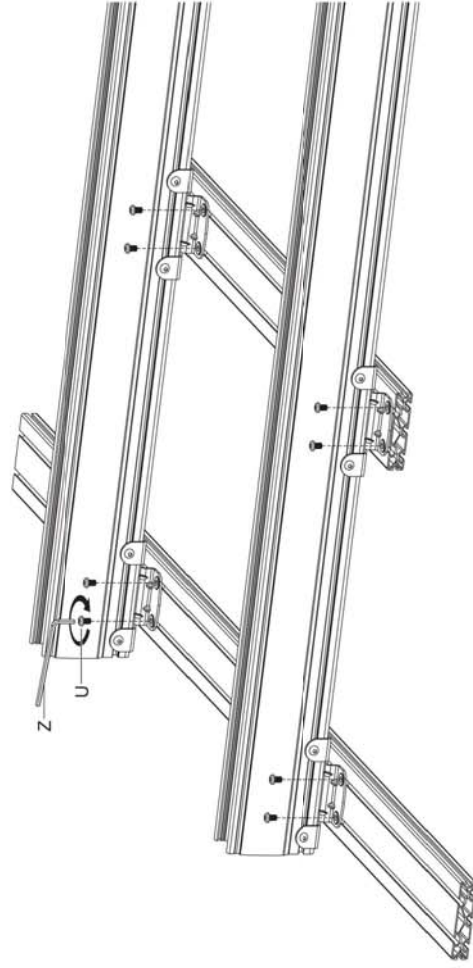
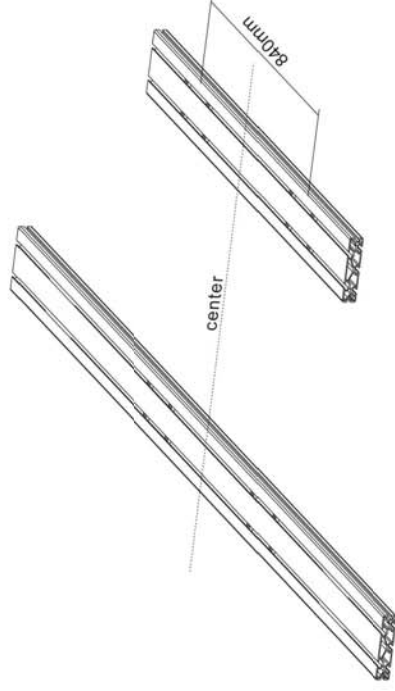


2. Attach Column to the Mounting Rail

1. Lay Mounting Rails(A) and (C) on the floor with the two slots side facing upward.
2. Insert 8 Sliding Nuts(I) into 2 slots on each mounting rail as shown in Figure Side View and position the nuts centrally on the rails.

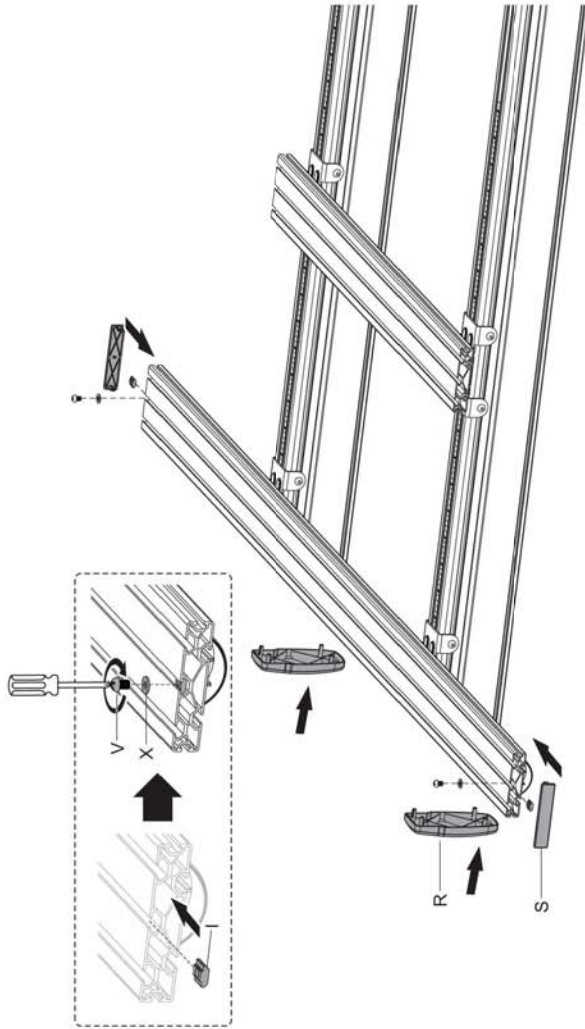


Note: Use the tape measure to make sure the distance shown in the illustration below is 840mm(33") on each rail.



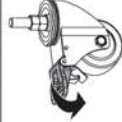
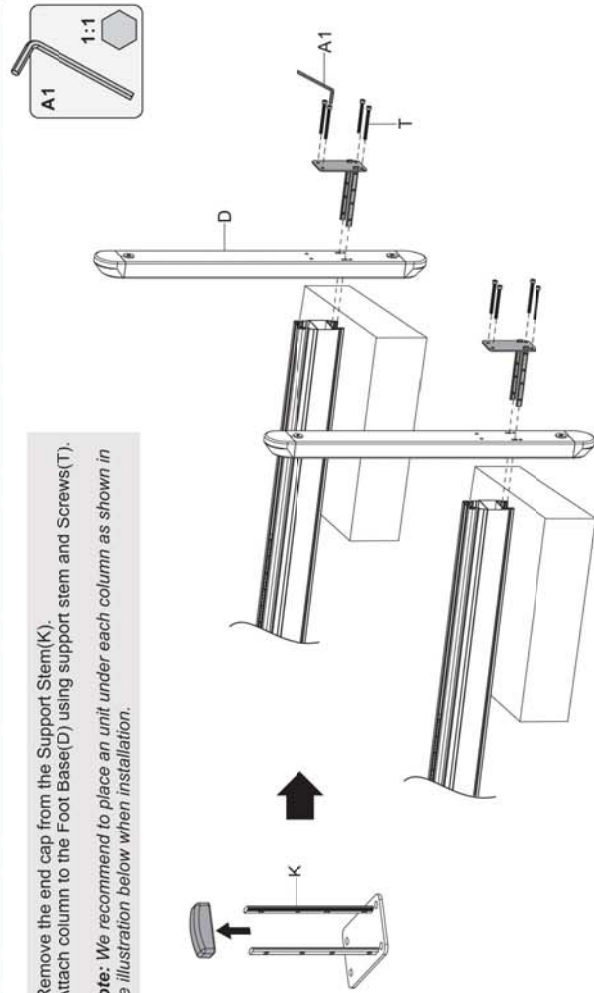
3. Install the End Cap

- Insert 2 Sliding Nuts(I) into the middle slot on each mounting rail as shown in the illustration below and position the nuts to the ends of the rails.
- Fix the nuts using Screws(V) and Washers(X).
- Attach the End Caps(S) to the ends of the top rail. Attach the End Caps(N) to the top of each column.



4. Assemble the Base

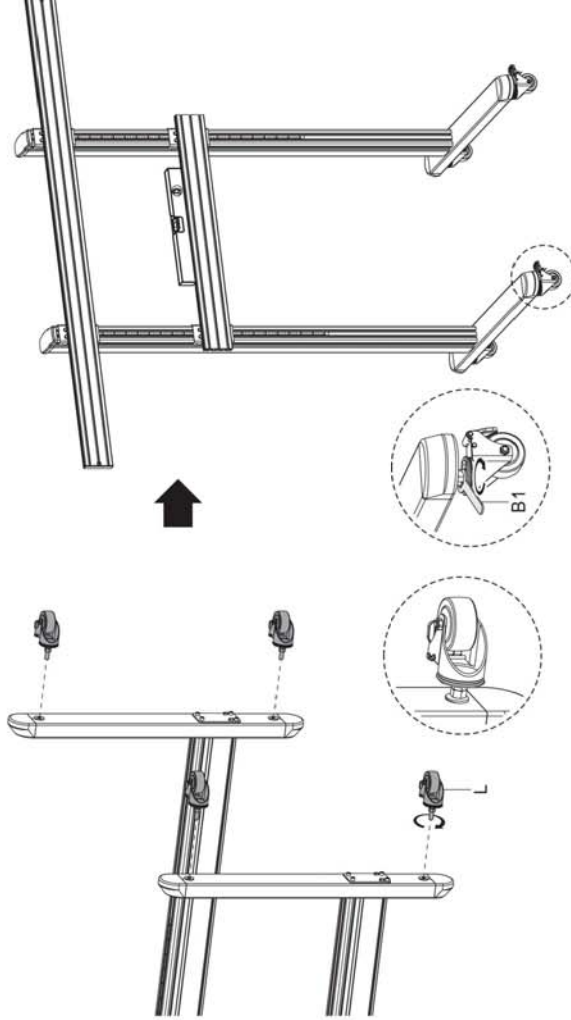
- Remove the end cap from the Support Stem(K).
 - Attach column to the Foot Base(D) using support stem and Screws(T).
- Note:** We recommend to place an unit under each column as shown in the illustration below when installation.



Note: Lock the brakes on the casters to avoid any sudden movements during installation.

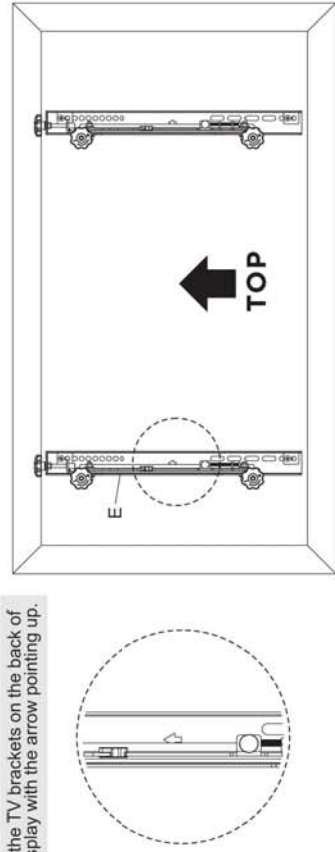


- Screw the lockable Caster(L) into the foot base with Crescent Wrench(B1).
- Turn the stand to upright position, using the Bubble Level(not included) to check if the stand is even.



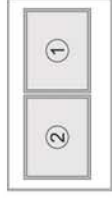
5. Attach TV Bracket

Place the TV brackets on the back of the display with the arrow pointing up.

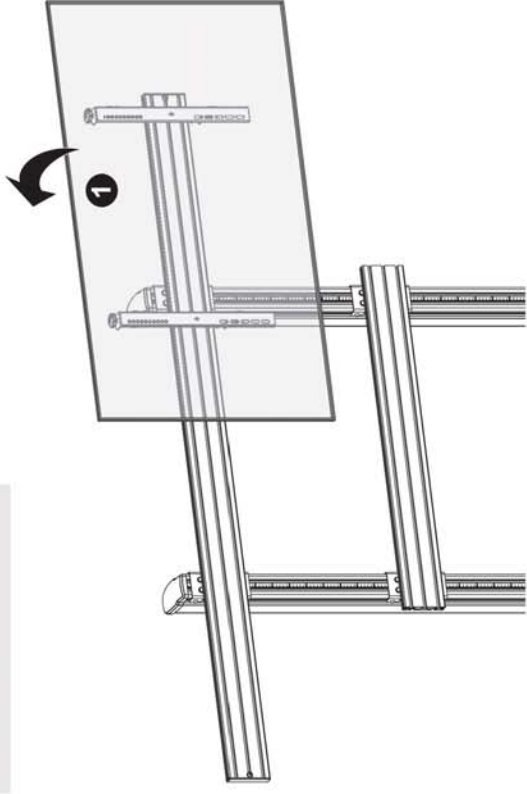


6. Hang the Screen

- Hook the displays onto the top rail.
- 2 people required.

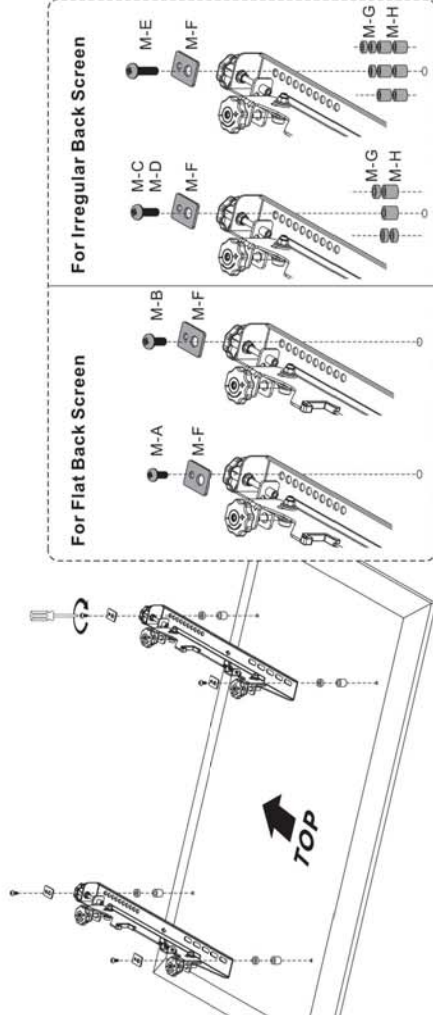
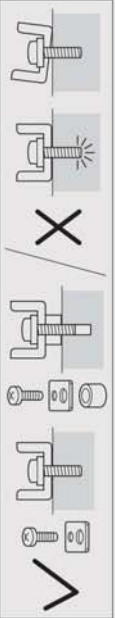
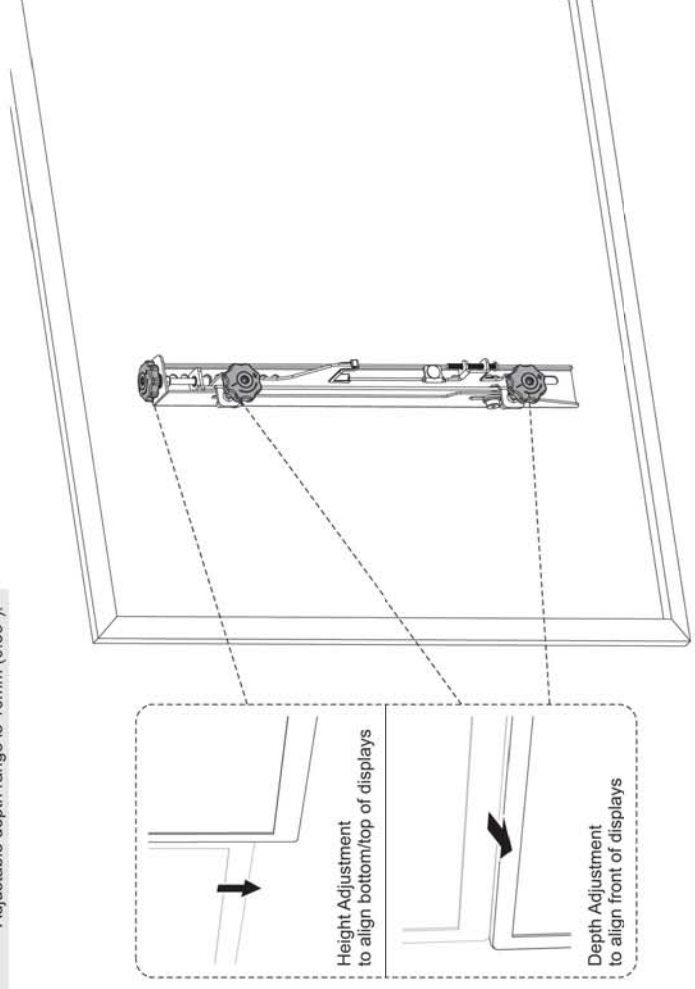


Note: Install/adjust the display by the order as shown.



7. Optional: Precise Display Alignment

- Note:**
- Adjustable height range is 20mm (0.79").
 - Adjustable depth range is 10mm (0.39").



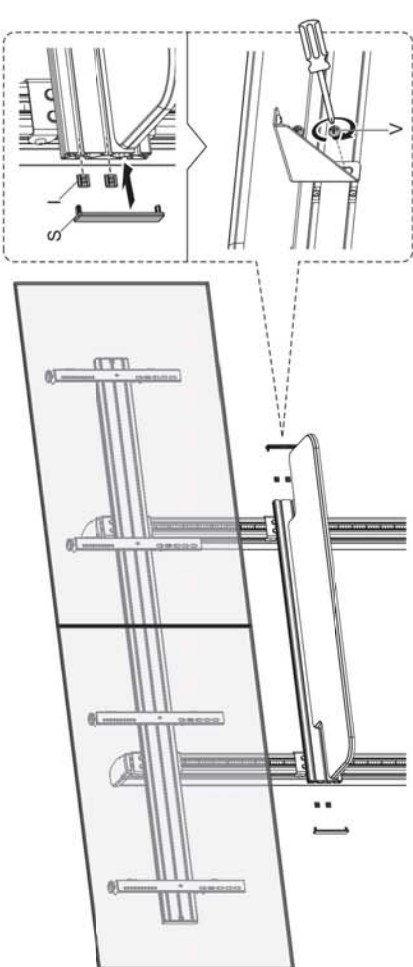
1:1			
M-A			
M-B			
M-C			
M-D			
M-E			
M-F			
M-G			
M-H			

- Note:** Choose the appropriate screws, washers and spacers (if necessary) according to the type of screen.
- Position the adapter brackets as close as possible to the center of the display.
 - Screw the adapter brackets onto the display.

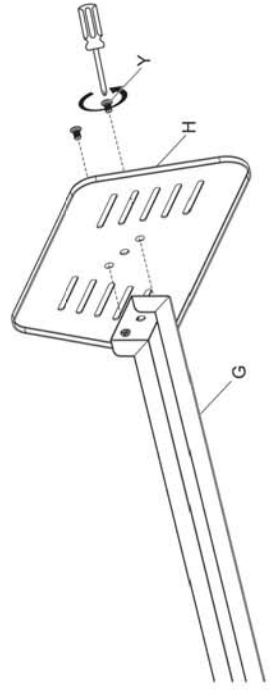
⚠ Tighten all screws but do not over tighten.



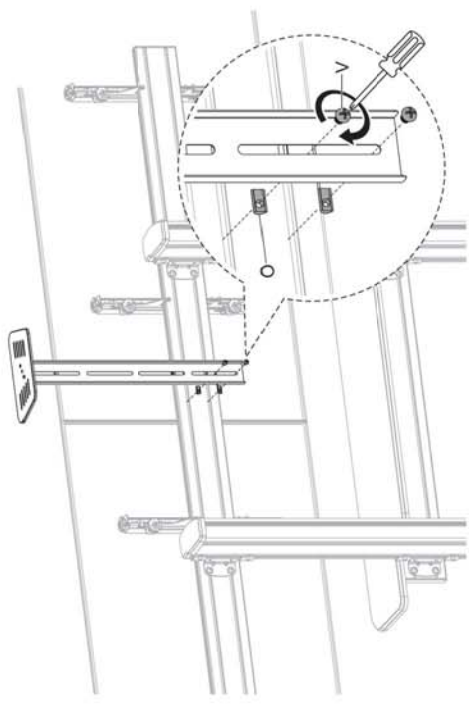
- Insert 2 Sliding Nuts(I) into the top slot of the bottom mounting rail and 2 in the 2nd from top slot as shown.
- Position the nuts next to the support brackets as shown in the right figure.
- Fix the nuts using Screws(V).
- Attach the End Caps(S) to the ends of the bottom rail.



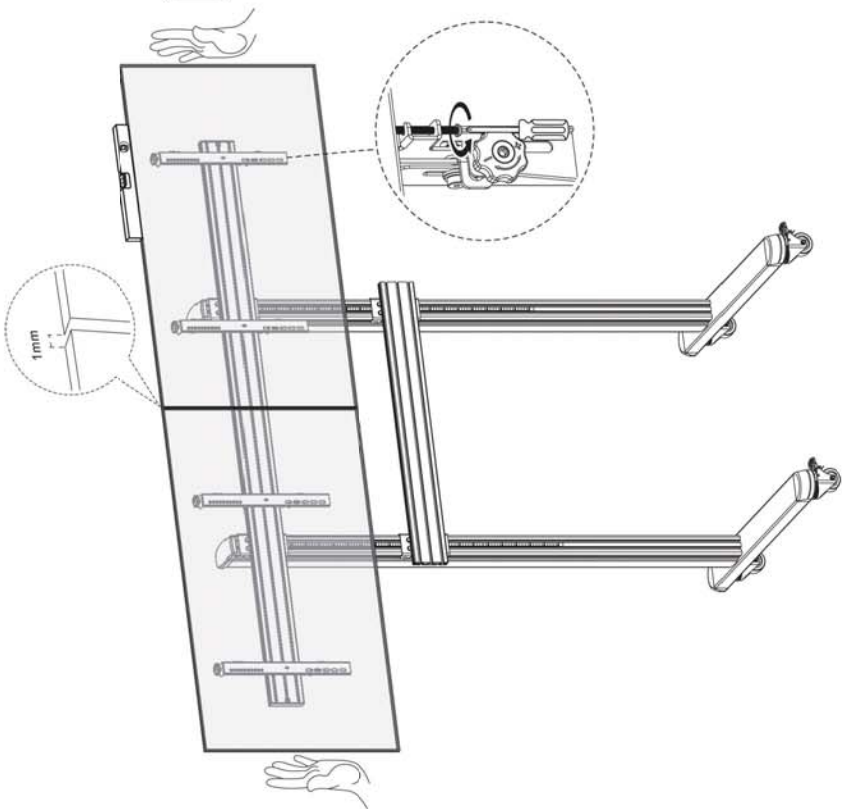
9. Attach the Camera Shelf to the Stand



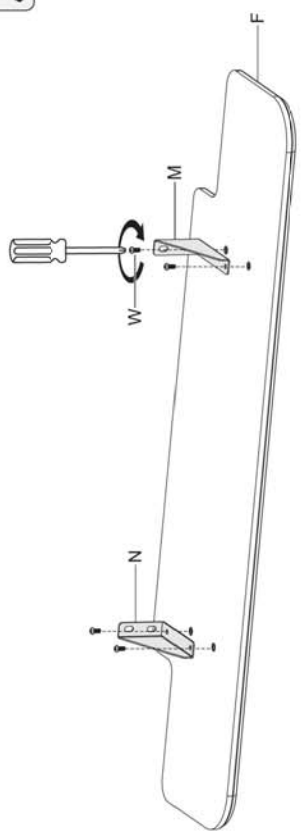
- Insert 2 T-slot Nuts(O) into the backside of the top rail as shown.
- Attach the camera shelf to the top rail using Screws(V).



- Tighten the safety screws found on the bottom of each bracket to secure the TV to the stand.
- Use the bubble level to check if the display is even.
- Note:** Leave at least 1mm gap between screens.



8. Assemble the Equipment Shelf



- Attach the Support Brackets(N) and (M) to the backside of the Equipment Shelf(F).