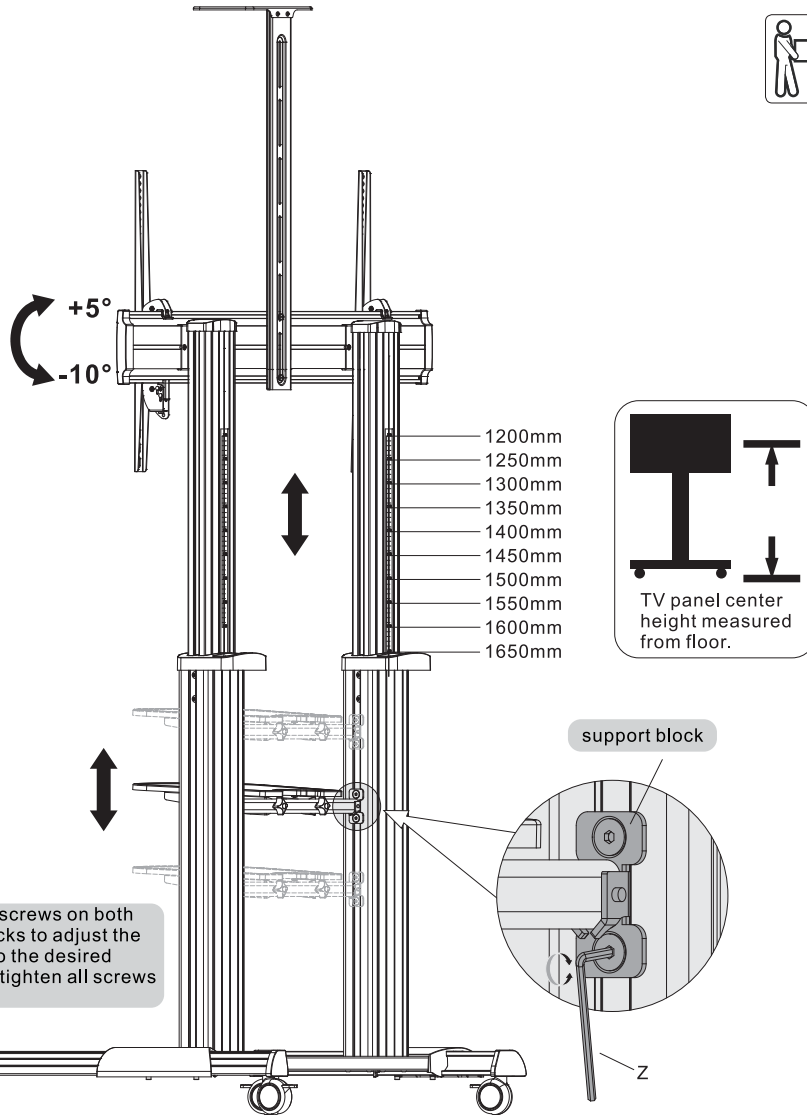


9. Adjustment

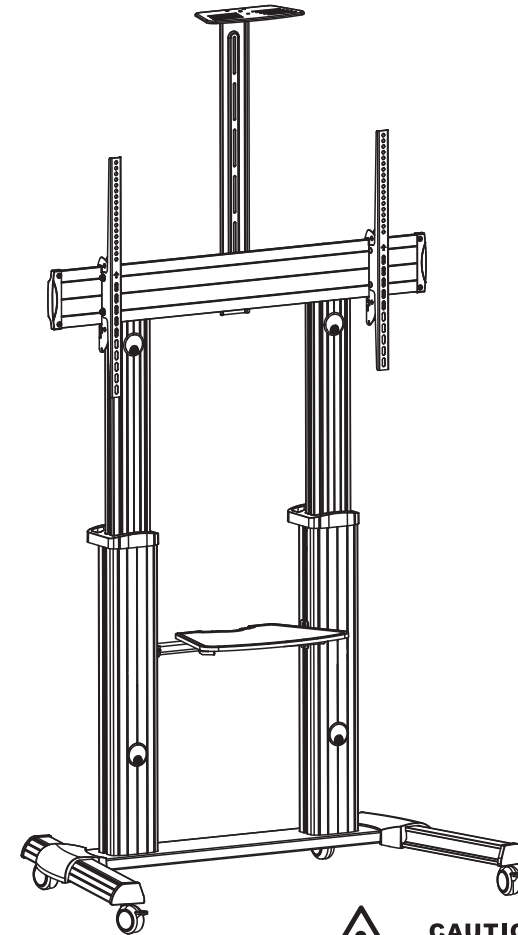


Loosen the screws on both support blocks to adjust the DVD shelf to the desired height then tighten all screws to secure.

Maintenance

- Check that the bracket is secure and safe to use at regular intervals(at least every three months).
- Please contact your distributor if you have any questions.

TV Floor Cart and Accessories



CAUTION: DO NOT EXCEED RATED LISTED WEIGHT. SERIOUS INJURY OR PROPERTY DAMAGE MAY OCCUR!

23211



200x200
 300x300
 400x200
 400x400
 600x400
 800x400
 800x600
 1000x600



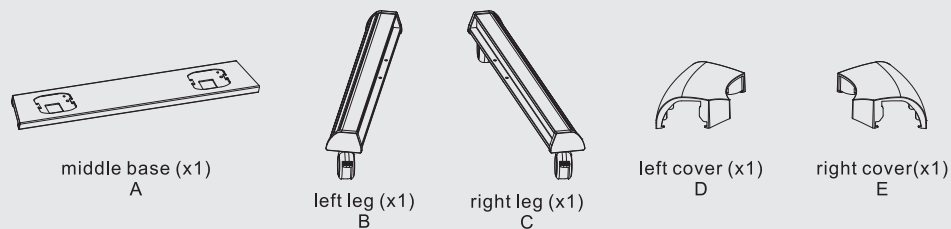
NOTE: Read the entire instruction manual before you start installation and assembly.

⚠ WARNING

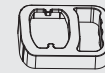
- Do not begin the installation until you have read and understood all the instructions and warnings contained in this installation sheet. If you have any questions regarding any of the instructions or warnings, please contact your local distributor.
- This mounting bracket was designed to be installed and utilised ONLY as specified in this manual. Improper installation of this product may cause damage or serious injury.
- Always use an assistant or mechanical lifting equipment to safely lift and position the equipment.
- Tighten screws firmly, but do not over tighten. Over tightening can cause damage to the items, This greatly reduces their holding power.
- This product is intended for indoor use only. Using this product outdoors could lead to product failure and personal injury.

IMPORTANT: Ensure that you have received all parts according to the component checklist prior to installation. If any parts are missing or faulty, telephone your local distributor for a replacement.

23211



universal plate (x1)
F



plastic handle (x2)
G



left column (x1)
H



right column (x1)
I



left adapter bracket (x1)
J



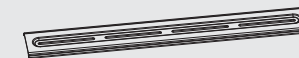
right adapter bracket (x1)
K



top cover (x2)
L



DVD shelf (x1)
M



connecting plate (x1)
N



camera shelf (x1)
O



support bar (x1)
P



knob (x2)
Q



M6x25 (x2)
R



M6x16 (x4)
S



M4x6 (x3)
T



M4x6 (x2)
U



M6x25 (x2)
V



M6x14 (x6)
W



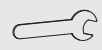
M8x25 (x8)
X



M6x25 (x2)
Y



Allen key (x1)
Z



wrench (x1)
A1

Package M



M5x14 (x4)
M-A



M6x14 (x4)
M-B



M6x30 (x4)
M-C



M8x30 (x4)
M-D



M8x50 (x4)
M-E



washer (x4)
M-F

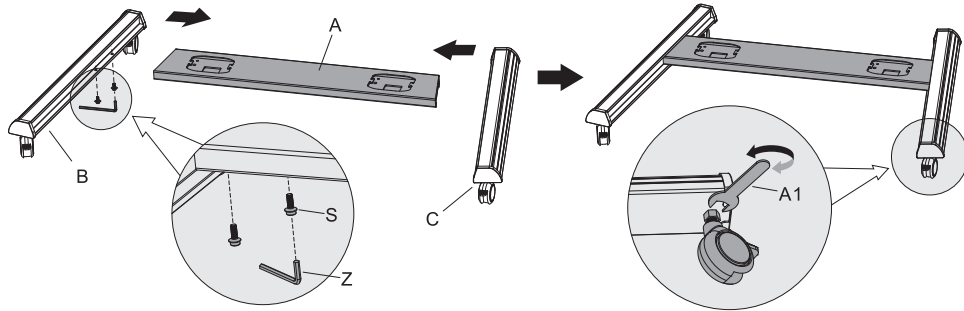


small spacer (x8)
M-G



big spacer (x8)
M-H

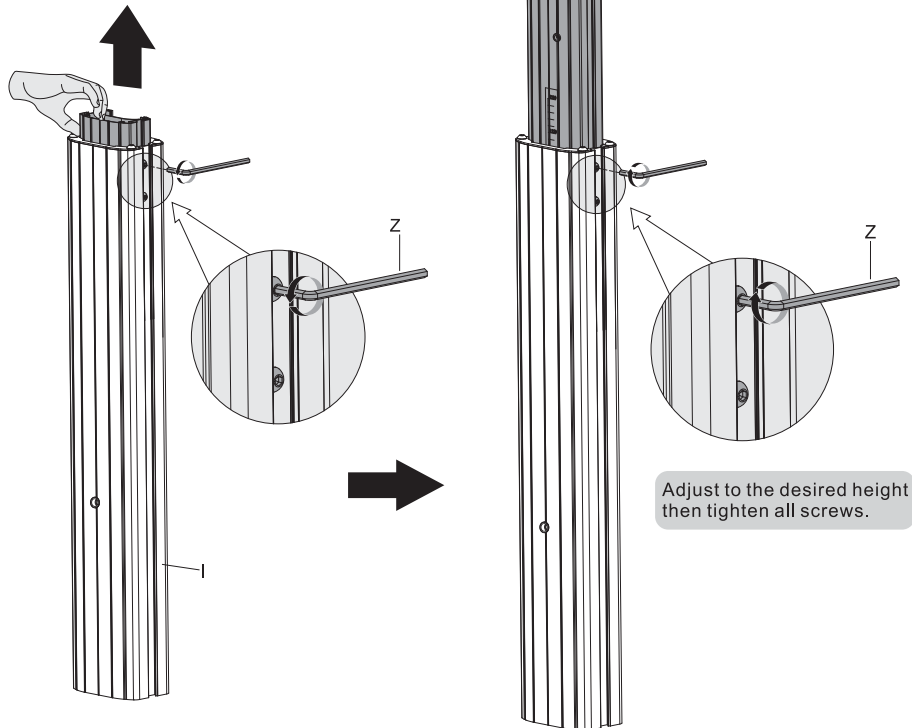
1. Assembling the Base



- Insert the right leg into the base. Align the holes in the right leg to the holes in the base. Secure with the screws. Repeat this step for the left leg.
- Each caster can be adjusted independently for fine tuning. Slightly turn the nut to lower or raise the base.

2. Attaching the Column to the Base

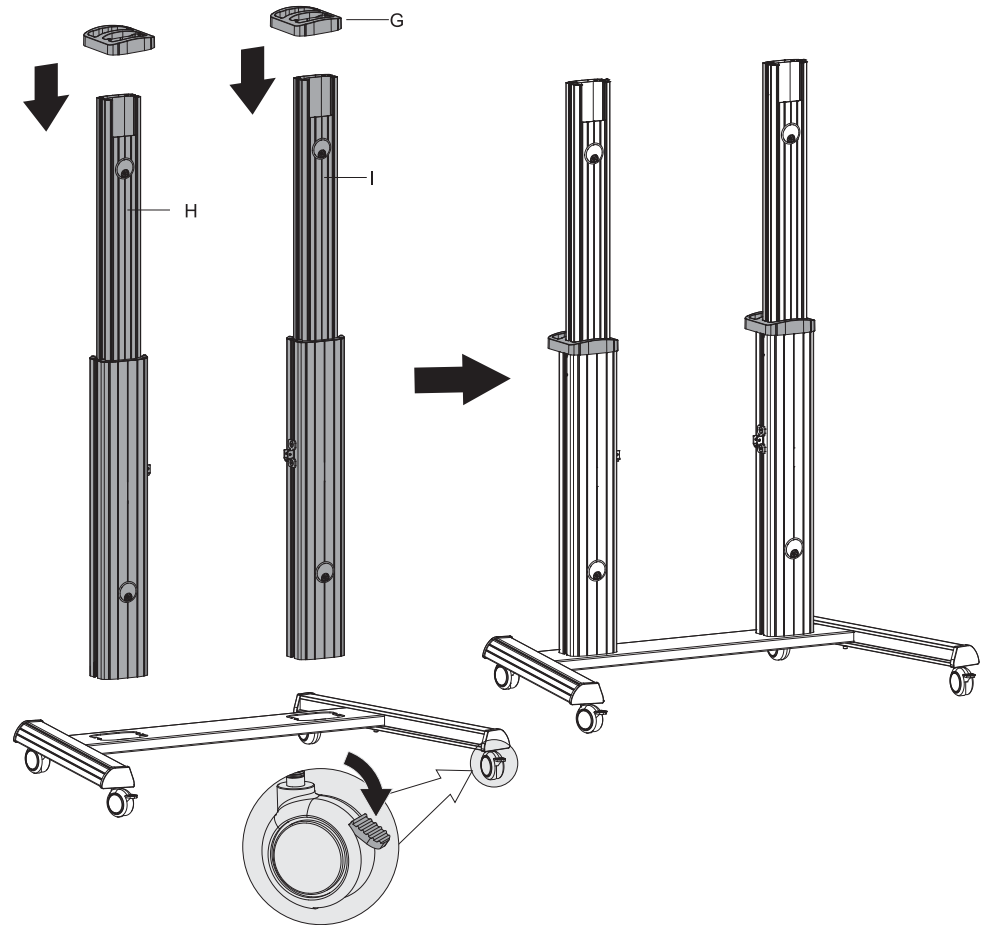
CAUTION: Please hold the inner column when loosening the screws to adjust height.



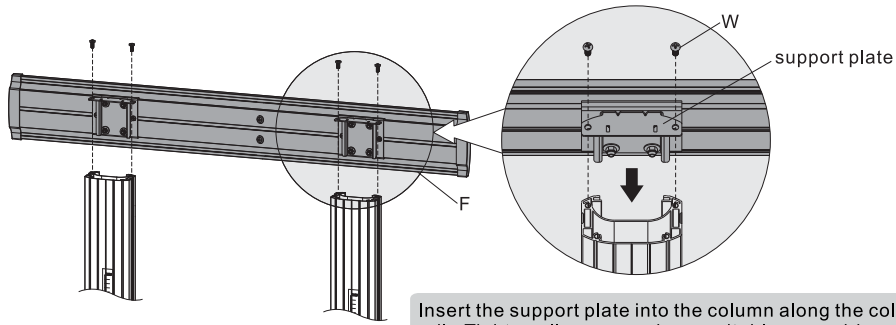
Adjust to the desired height then tighten all screws.

Repeat this step for the left column.

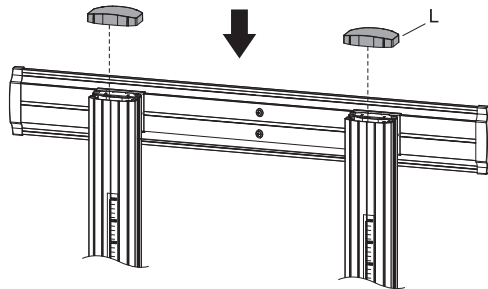
Note: Make sure both columns are at the same height using the height indicator as guide.



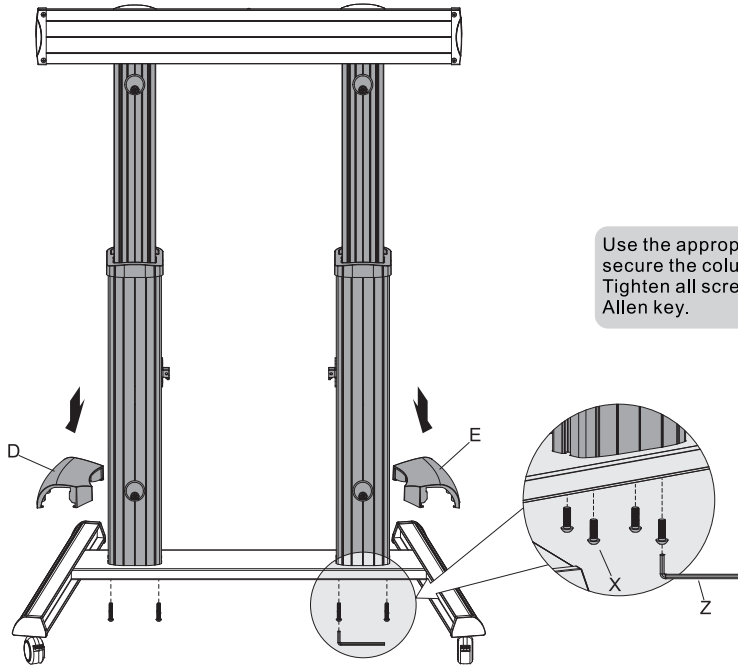
CAUTION: **Note:** Now the columns are attached to the base without the use of any screws. Be careful not to knock the columns over.



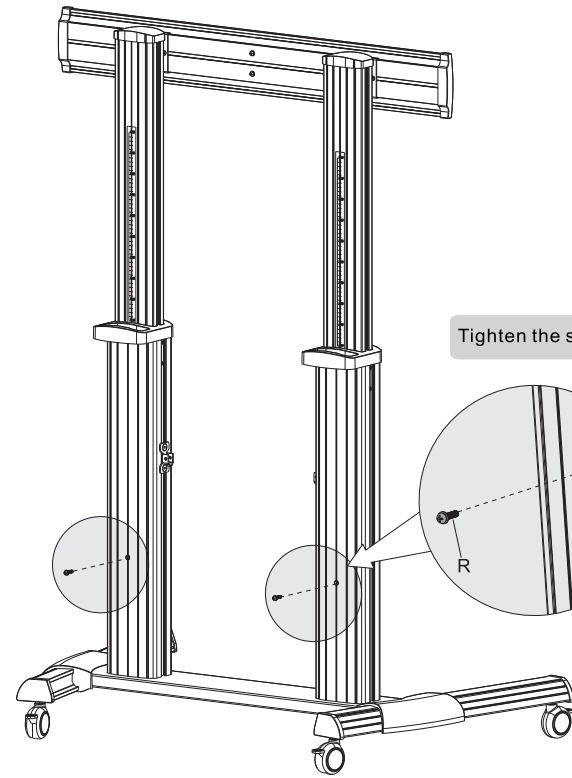
Insert the support plate into the column along the column rails. Tighten all screws using a suitable screwdriver.



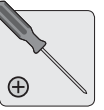
Attach the universal plate to the columns with the appropriate screws. Tighten all screws using a Phillips screwdriver.



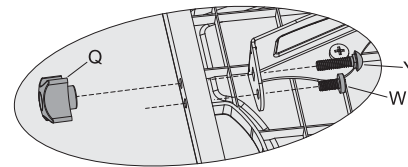
Use the appropriate screws to secure the columns to the base. Tighten all screws using an Allen key.



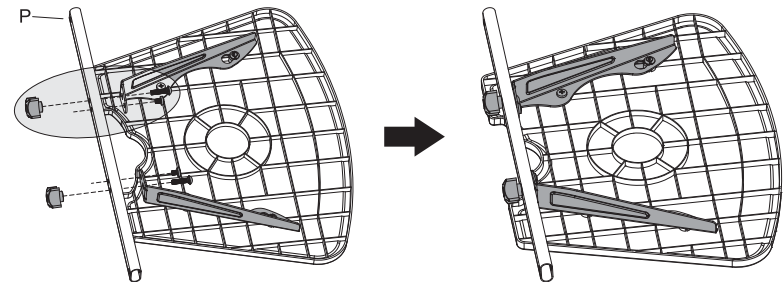
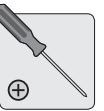
Tighten the safety screw.

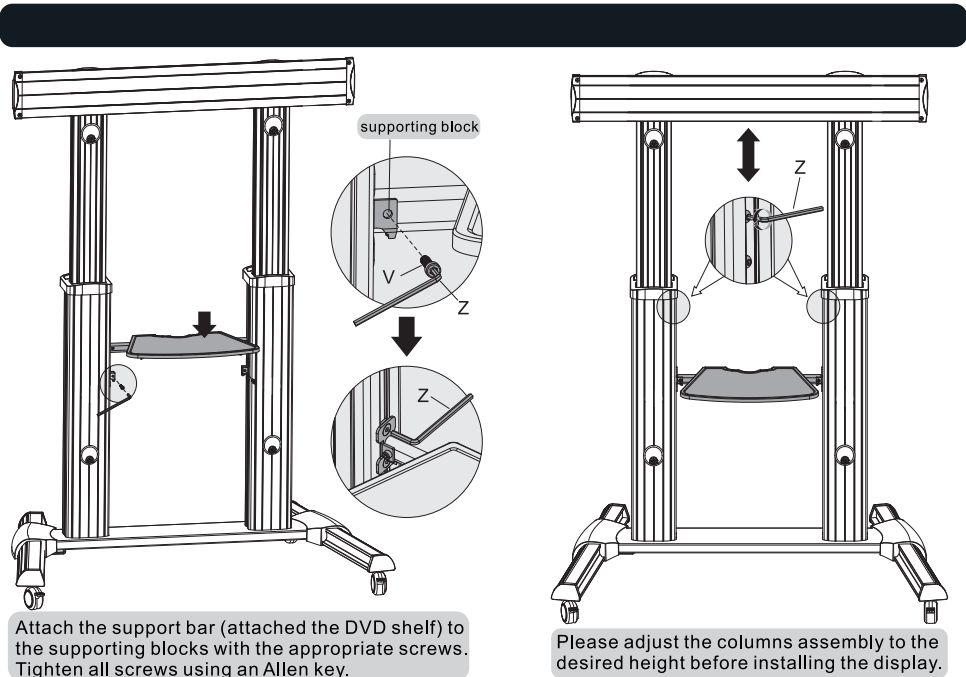


3. Assembling the DVD Shelf



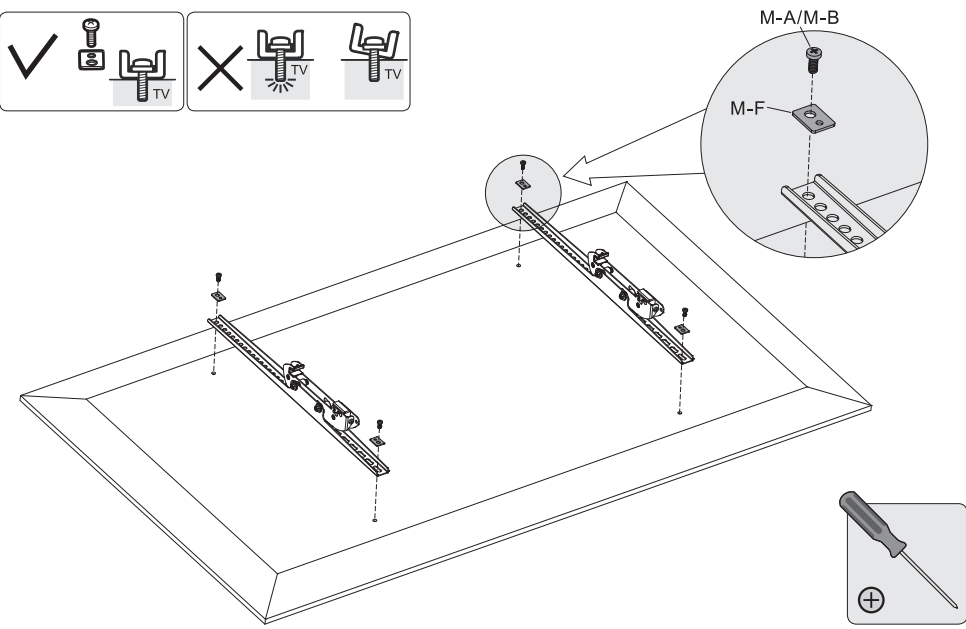
Attach the DVD shelf to the support bar with the appropriate screws and the knobs.



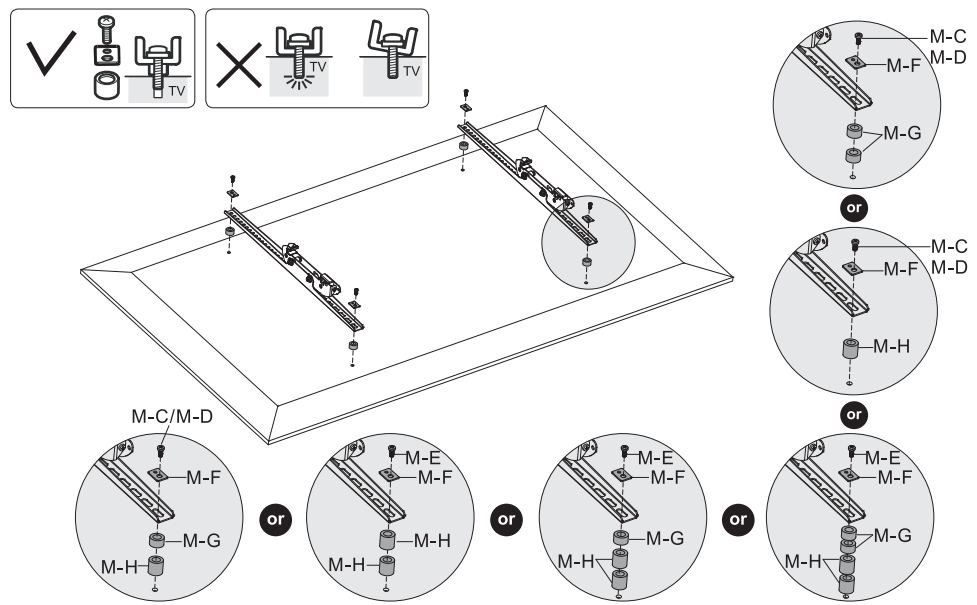


4. Installing the Adapter Brackets

4-1 For Flat Back Screens



4-2 For Recessed Back Screens or to Access A/V Inputs

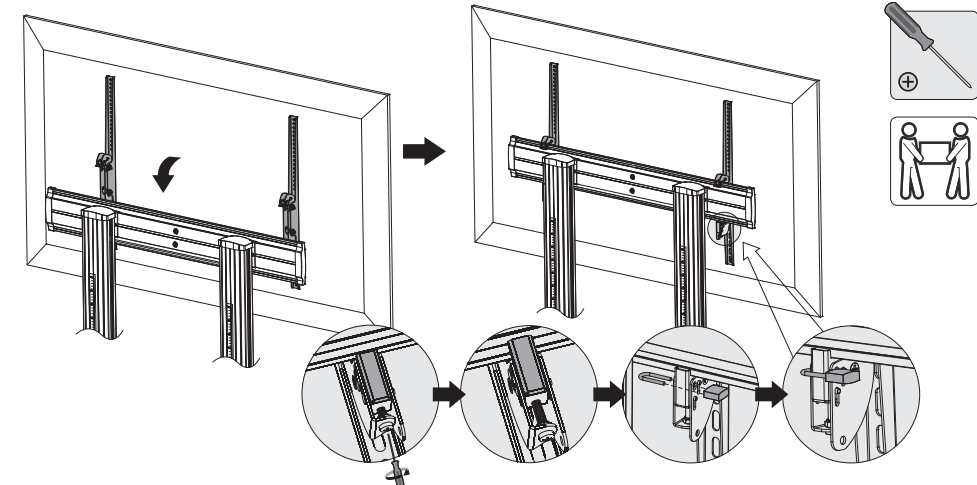


Note: Choose the appropriate screws, washers and spacers (if necessary) according to the type of screen.

- Position the adapter brackets as close as possible to the center of the display.
- Screw the adapter brackets onto the display.

⚠ Tighten all screws but do not over tighten.

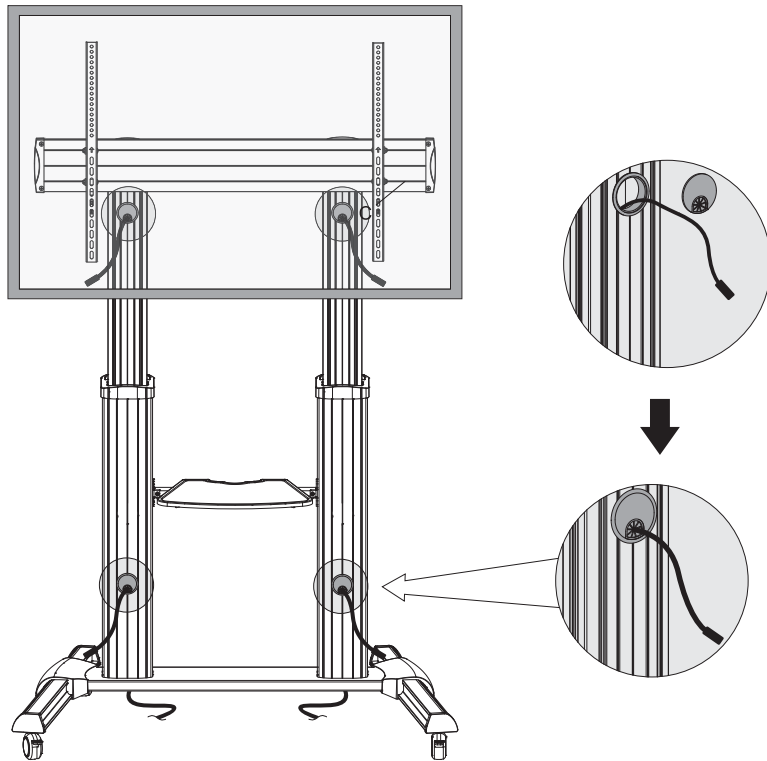
5. Hanging the Display onto the Universal Plate



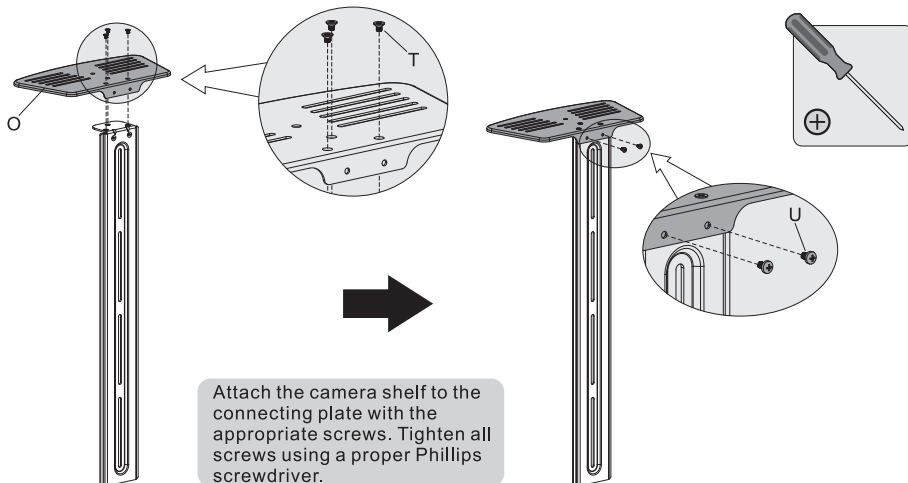
Hook the adapter brackets (attached the display) onto the universal plate. Rotate the bottom screws counterclockwise to lock. Rotate the bottom screws clockwise to unlock. Use the padlock to prevent display from being stolen. (Padlock is not included.)

IMPORTANT: Make sure the display is correctly mounted before releasing the display.

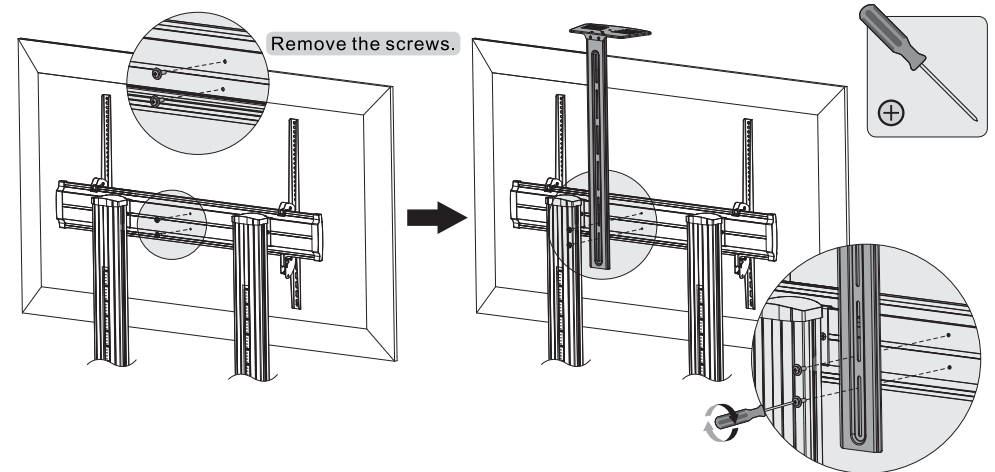
6. Cable Management



7. Installing the Camera Shelf



8. Installing the Connecting Plate



Attach the connecting plate to the universal plate with the removed screws. Tighten all screws using a proper Phillips screwdriver.

